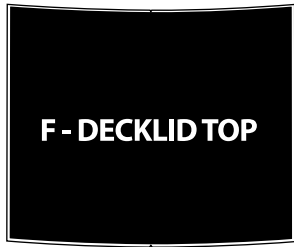
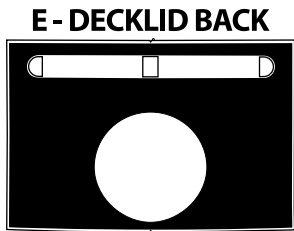


(Arrows on labels point to the front of the car)

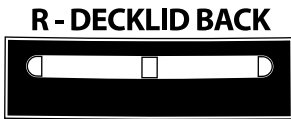


**F - DECKLID TOP**



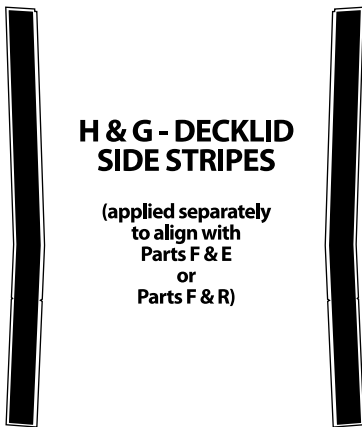
**E - DECKLID BACK**

(for decklids without a rear applique)



**R - DECKLID BACK**

(for decklids featuring a rear applique)



**H & G - DECKLID  
SIDE STRIPES**

(applied separately  
to align with  
Parts F & E  
or  
Parts F & R)

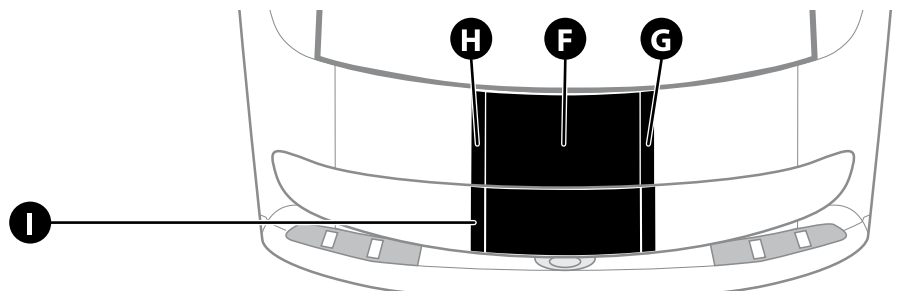
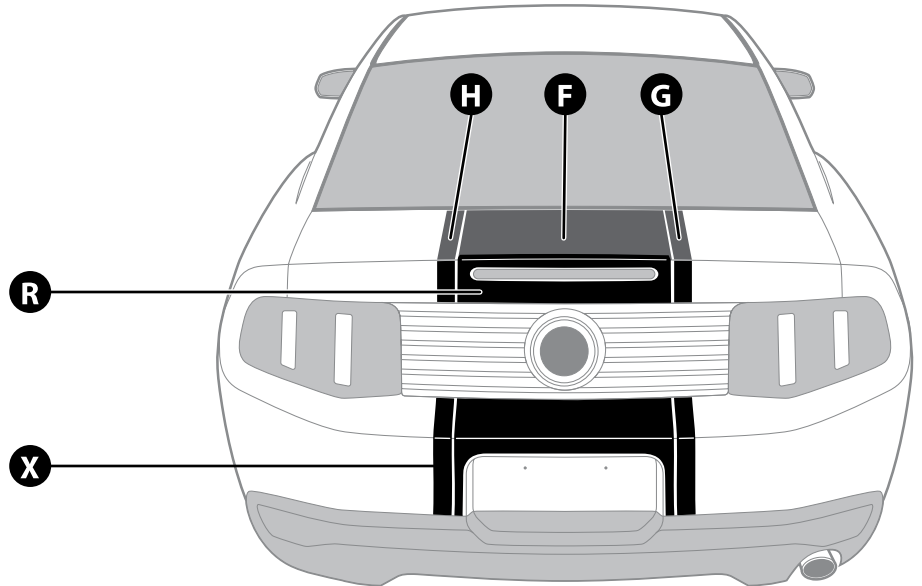
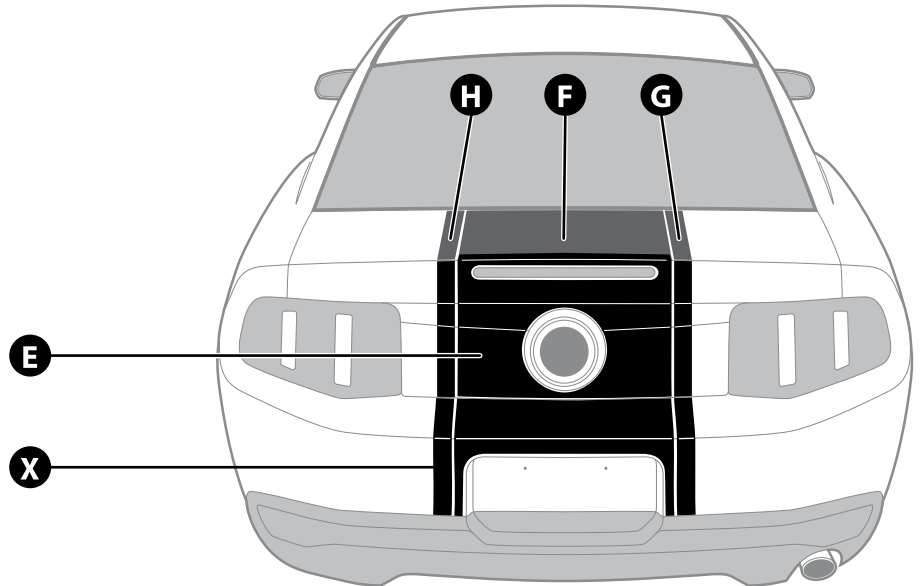


**X - BUMPER**



**I - SPOILER TOP**

(for pedestal spoilers)



(Note: When used in conjunction with a pedestal spoiler, Parts F, G, & H all flow underneath the spoiler. It may be easier to apply these parts by removing the spoiler first, or even by installing the stripes prior to installing a spoiler.)